

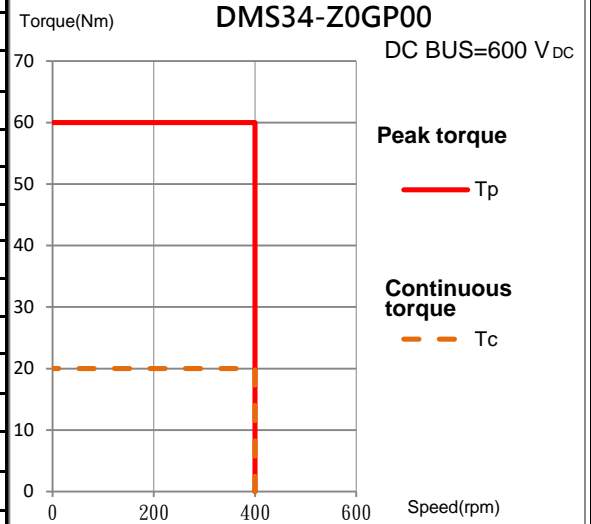
DMS34-Z0GP00 Direct Drive Motor

Spec No: DB100293-V2.03

Electrical specifications

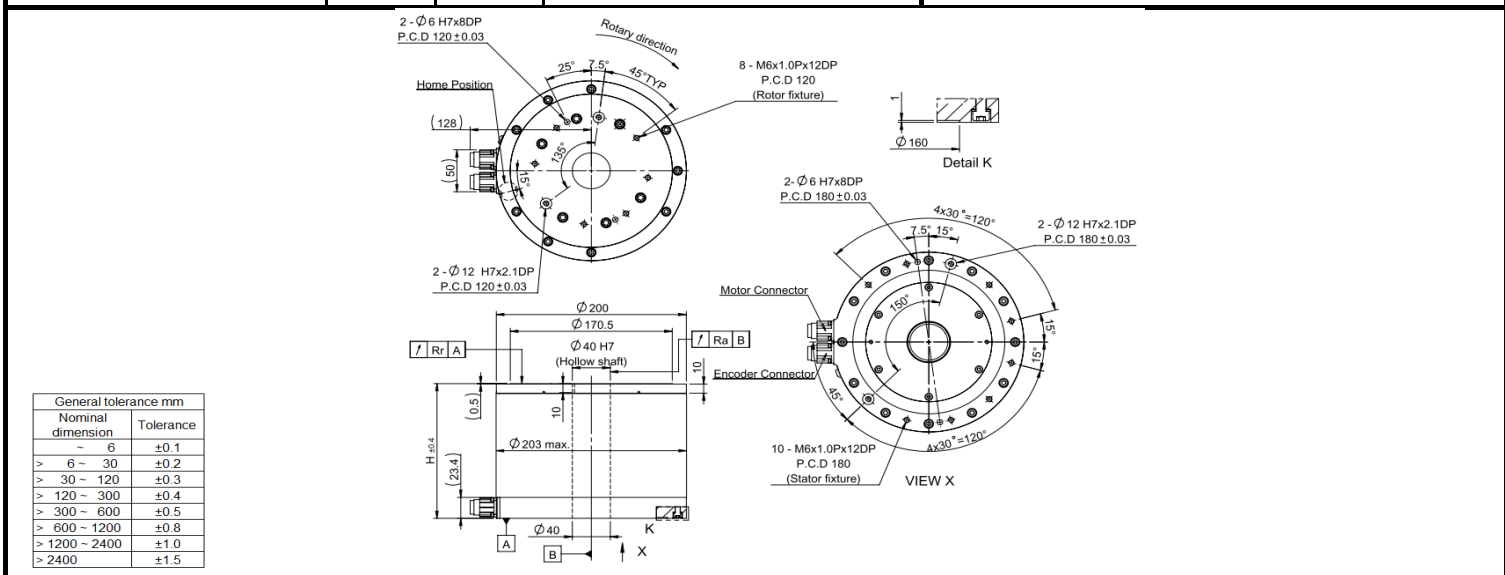
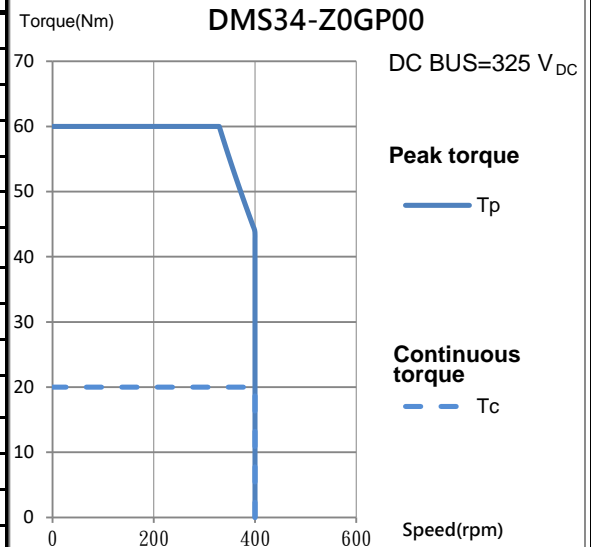
| Winding code : LA | Symbol | Unit | |
|-----------------------------------|----------|----------------|---------|
| Continuous torque | T_c | Nm | 20 |
| Continuous current | I_c | A_{rms} | 3.4 |
| Peak torque(for 1sec.) | T_p | Nm | 60 |
| Peak current(for 1sec.) | I_p | A_{rms} | 10.2 |
| Torque constant | K_t | Nm/Arms | 6 |
| Electrical time constant | T_e | ms | 4.6 |
| Resistance (line to line at 25°C) | R_{25} | Ω | 7.5 |
| Inductance (line to line) | L | mH | 32 |
| Number of poles | | | 22 |
| Back emf constant (line to line) | K_v | Vrms/rad/s | 3 |
| Motor constant (at 25°C) | K_m | Nm/ \sqrt{W} | 1.8 |
| Thermal resistance | R_{th} | K/W | 0.73 |
| Thermal sensor | | | PTC 120 |
| Max. DC BUS | V_{DC} | | 600 |

T-N curve



Mechanical specifications

| | Symbol | Unit | |
|-----------------------|--------|---------|-----------------------|
| Inertia of rotor | J | kgm^2 | 0.02 |
| Mass of motor | M_m | kg | 17.5 |
| Max. axial load | F_a | N | 8000 |
| Max. moment load | M | Nm | 240 |
| Max. speed(at 600VDC) | | rpm | 400 |
| Max. speed(at 325VDC) | | rpm | 400 |
| Resolution | | | 25bit(EnDat2.2) |
| Repeatability | | arc-sec | ± 2.5 |
| Accuracy | | arc-sec | ± 25 |
| Axial run-out | R_a | μm | 30 |
| Radial run-out | R_r | μm | 30 |
| Motor dimensions | DxH | mm | $\phi 200 \times 150$ |



Except dimensions, all the specifications in the table are in $\pm 10\%$ of tolerance

Version: 2.03

This drawing is only for reference, detail dimensions please refer to approval drawing.

Date: 20241227